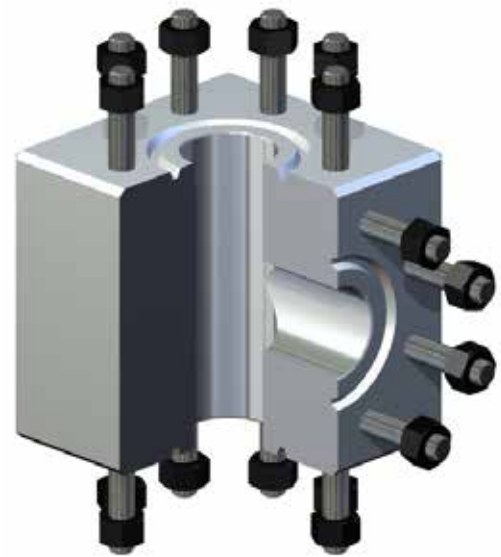


STUDDED / FLANGED TEES AND CROSSES

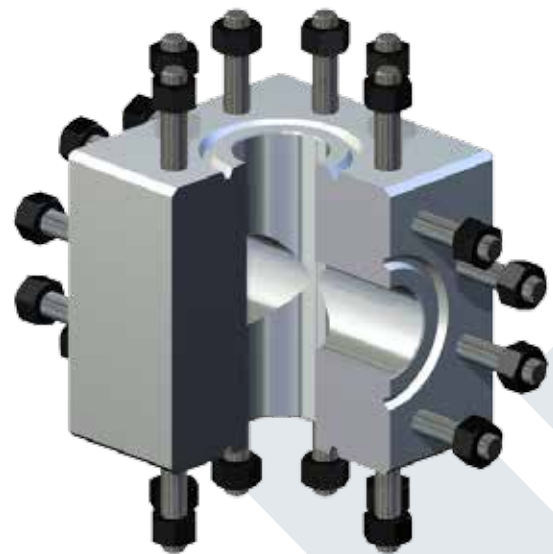
The Great North Wellhead & Frac (GNWF) Studded/Flanged Tee is a pressure containing fitting with three openings, and the Studded/Flanged Cross is a pressure containing fitting with a minimum of four openings. They are used to add wing valves, blind, companion, adapter, or test flanges to the surface flow control assembly or "top section". They can also be used in manifolds to connect banks of gate valves together to redirect flow in different directions.

GNWF Studded/Flanged Tees and Crosses come in common API 6A nominal sizes, and standard centre-lines from 2" 2000 PSI to 5 1/8" 15 000 PSI, and up to 4 1/16" only in the 20 000 PSI range.

NOTE: 1 3/16" product is offered in **standard** API 6A dimensions from 10 000 PSI up to and including 20 000 PSI only. Contact Great North Equipment & Frac to inquire about additional sizes and configurations.



STUDDED CROSS



STUDDED TEE