

# SINGLE STUDDED UP (S.S.U.) DOUBLE STUDDED (D.S.A.) TUBING HEAD ADAPTER FLANGES

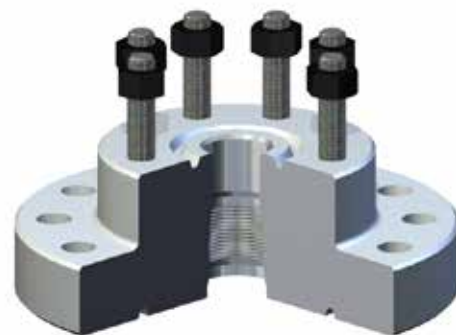
The Single Studded Up (S.S.U.) or Double Studded (D.S.A.) Tubing Head Adapter Flange is a drilled-thru flange (S.S.U.) or a studded down flange (D.S.A.) with an External Upset End (E.U.E.), or premium thread female suspension thread on the bottom of the flange. Both types of flanges provide a studded-top connection. This adapter is used mainly for the installation of flanged gate valves or pumping equipment, providing full-bore access to the tubing hanger below.

## RP Seal Pocket Tubing Head Adapter Flange

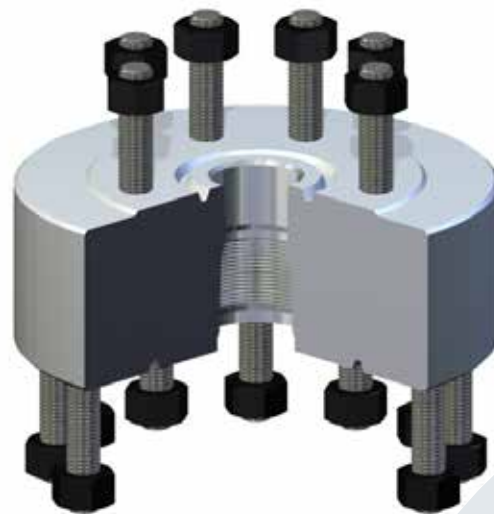
The Great North Wellhead & Frac (GNWF) "RP" Seal Pocket Tubing Head Adapter Flange can be supplied within any of the standard types of tubing head adapter flange GNWF offers. The seal pocket slides over the extended neck of the GNWF "RP" family of tubing hangers and PST nipples. This achieves an isolated connection between the Tubing Head and the Tubing Head Adapter Flange, isolating well bore fluids to be contained solely within the tubing strings and well bores above.

This Tubing Head Adapter Flange is used mainly for corrosive, sour, or other critical production applications where isolation of fluids are required to be restricted to well bores only.

**NOTE:** The GNWF "RP" Seal Pocket dimensions may not be compatible with other original equipment manufacturer's (O.E.M.'s) equipment. check with GNWF prior to confirm fitment.



SINGLE STUDDED UP TUBING HEAD ADAPTER



DOUBLE STUDDED TUBING HEAD ADAPTER