

RH

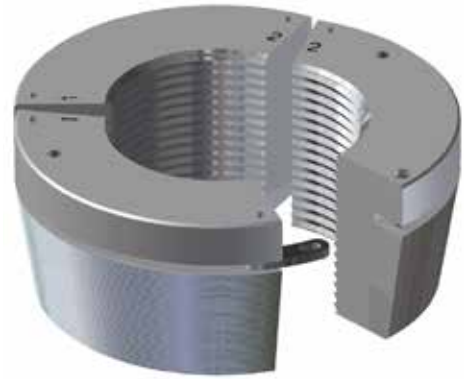
MANUAL CASING SLIP HANGERS

GNWF RH Manual Casing Slips have a tapered body designed to suspend light to medium weight casing strings. In order to provide an annulus seal, the “RH” primary seal is used. The tapered profile has become the Industry standard in most 9” applications. The “RH” is compatible with most tapered profiles.

Contact Great North Wellhead & Frac for compatibility with other OEM equipment.

Features

- The hinged assembly is easily wrapped around the casing and secured with the supplied cap screw.
- When an annular seal is required, the separate “RH” Primary seal is installed above the casing slips on its respective load shoulder in the casing head.
- Conforms to API 6A temperature, material and PSL Specifications.
- The RH is designed to accommodate the maximum API tolerance range for casing O.D.



CASING HEAD HOUSING SIZE Hanger/Primary O.D. (inches)	CASING SIZE HANGER/PRIMARY I.D. (inches)
9"	4 ½"
	5 ½"