

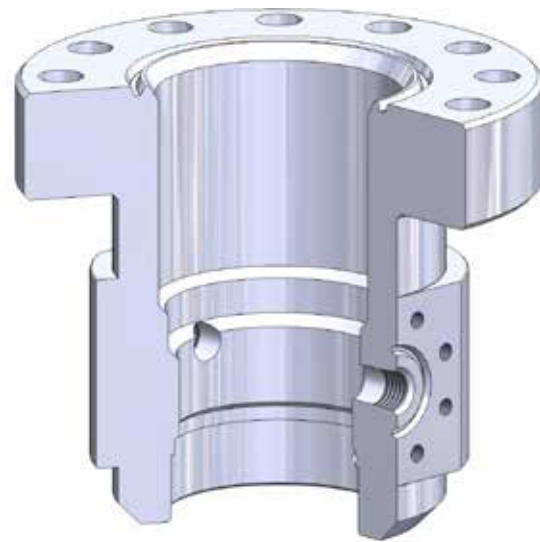
RC-22 / RC-29

CASING HEADS

The RC-22/RC-29 Casing Head incorporates a straight bore profile designed to handle heavy casing string weights and will accept most C-21, C-22 and C-29 style manual and automatic casing slips. It is available in several flange sizes from 7 1/16" to 21 1/4" and rated for pressures from 2000 PSI to 10 000 PSI.

Features

- Load shoulder to support primary seal used with manual casing slips.
- Will accept Great North Wellhead & Frac RC-21, RC-22 and RC-29 casing slips or equivalent.
- Conforms to API 6A temperature, material and PSL Specifications.
- Compatible with Standard C-21/C-29 bore protectors and combination test plug/retrieval tools.



Bottom Connection Options

- Socket weld with 1/2" test port.
- Socket weld with O-ring seal (upon request).
- Threaded casing connections.

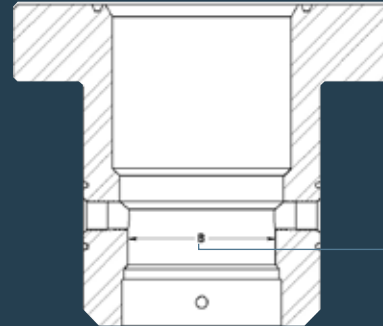
Side Outlets

- Threaded line pipe.
- Studded side outlets c/w valve removal plug threads.
- Extended flanged outlets c/w valve removal plug threads.

NOTE: The RC-22 Casing Head does not come with lock screws. Lock screws can be added as per Customer requirements.

RC-22/RC-29 CASING HEADS

FLANGE Nominal Size (inches)	FLANGE Rated Working Pressure (PSI)	CASING SIZE Bottom (inches)	MINIMUM BORE (B) (inches)
7 1/16"	2000 - 10 000	4 1/2"	4.0"
		5 1/2"	5.0"
		6"	5.45"
		6 5/8"	6.05"
		7"	6.44"
9"	2000 - 10 000	4 1/2"	4.0"
		5 1/2"	5.0"
		6"	5.45"
		6 5/8"	6.05"
		7"	6.44"
11"	2000 - 10 000	8 5/8"	8.0"
		7"	6.44"
		7 5/8"	7.05"
		8 5/8"	8.0"
		9 5/8"	9.0"
13 5/8"	2000 - 10 000	10 3/4"	10.1"
		7"	6.44"
		7 5/8"	7.05"
		8 5/8"	8.0"
		9 5/8"	9.0"
16 3/4"	2000 - 10 000	10 3/4"	10.1"
		11 3/4"	11.05"
		13 5/8"	12.6"
20 3/4"	3000	11 3/4"	11.05"
		13 5/8"	12.6"
21 1/4"	2000, 5000, 10 000	16"	15.25"
		18 7/8"	17.6"
		20"	19"



MINIMUM BORE (B)



LOCKSCREW DETAIL