

# RC-22-29-P

## INTERMEDIATE SPOOLS

The RC-22-P/RC-29-P Intermediate Spool incorporates a straight bore profile designed to handle light to heavy casing string weights and will accept most C-21, C-22, and C-29 style manual and automatic casing slips and mandrel hangers. It also comes standard with hydraulically actuated plastic injection integral "P" Seal type secondary seal. It is available in several flange sizes from 7 1/16" to 21 1/4" and rated for pressures from 2000 PSI to 10 000 PSI.

### Features

- Load shoulder to support primary seal used with manual casing slips.
- Will accept Great North Wellhead & Frac RC-21, RC-22 and RC-29 or equivalent casing slips and mandrel hangers.
- Conforms to API 6A temperature, material and PSL Specifications.
- Compatible with Standard C-21 and C-29 bore protectors and combination test plug/retrieval tools.

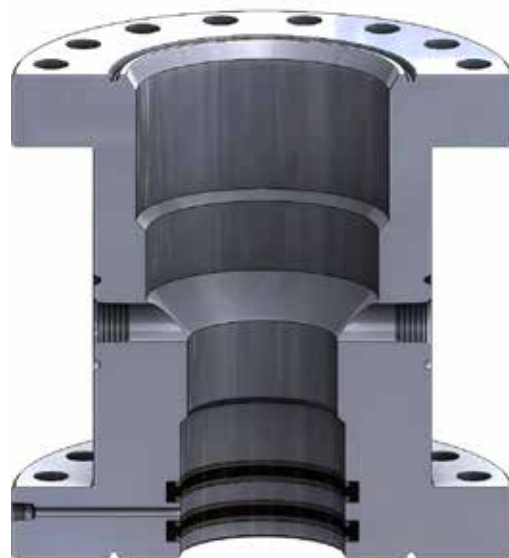
### Options

- Standard Great North Wellhead & Frac RCS three piece secondary seal.
- Integral double o-ring seal type secondary seal.

### Side Outlets

- Threaded line pipe.
- Studded side outlets c/w valve removal plug threads.
- Extended flanged outlets c/w valve removal plug threads.

**NOTE:** The RC-22-P and RC-29-P Intermediate Spool does not come with lock screws. Lock screws can be added as per customer requirements.

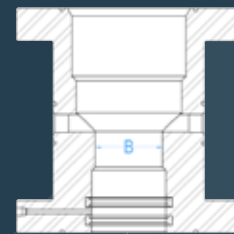


# RC-22-29-P INTERMEDIATE SPOOLS

UPPER FLANGE Nominal Size (inches)	FLANGE Rated Working Pressure (PSI)	CASING SIZE Bottom (inches)	MINIMUM BORE (B) (inches)	LOWER FLANGE Nominal Size (inches)	FLANGE Rated Working Pressure (PSI)
7 1/16"	2000 - 10 000	4 1/2"	4.0"	7 1/16"	2000 - 10 000
		5 1/2"	5.0"		
		6"	5.45"		
		6 5/8"	6.05"		
		7"	6.44"		
9"	2000 - 10 000	4 1/2"	4.0"	9"	2000 - 10 000
		5 1/2"	5.0"		
		6"	5.45"		
		6 5/8"	6.05"		
		7"	6.44"		
		8 5/8"	8.0"		
11"	2000 - 10 000	7"	6.44"	11"	2000 - 10 000
		8 5/8"	8.0"		
		9 5/8"	9.0"		
		10 3/4"	10.1"		
13 5/8"	2000 - 10 000	7"	6.44"	13 5/8"	2000 - 10 000
		8 5/8"	8.0"		
		9 5/8"	9.0"		
		10 3/4"	10.1"		
		11 3/4"	11.05"		
16 3/4"	2000 - 10 000	11 3/4"	11.05"	16 3/4"	2000 - 10 000
		13 3/8"	12.6"		
		16"	15.25"		
20 3/4"	3000	16"	15.25"	20 3/4"	3000
		18 5/8"	17.6"		
		20"	19"		
21 1/4"	2000, 5000, 10 000	16"	15.25"	21 1/4"	2000, 5000, 10 000
		18 5/8"	17.6"		
		20"	19"		



LOCKSCREW DETAIL



MINIMUM BORE (B)