

R2C-RP-B TUBING HANGERS

The R2C- RP-B Tubing Hanger incorporates a straight profile design to handle heavy tubing string weights. The R2C- RP-B comes with an extended neck and seals which isolates the top connection of the tubing head and adaptor from the well bore conditions as well as the incorporation of standard back pressure valve threads.

Features

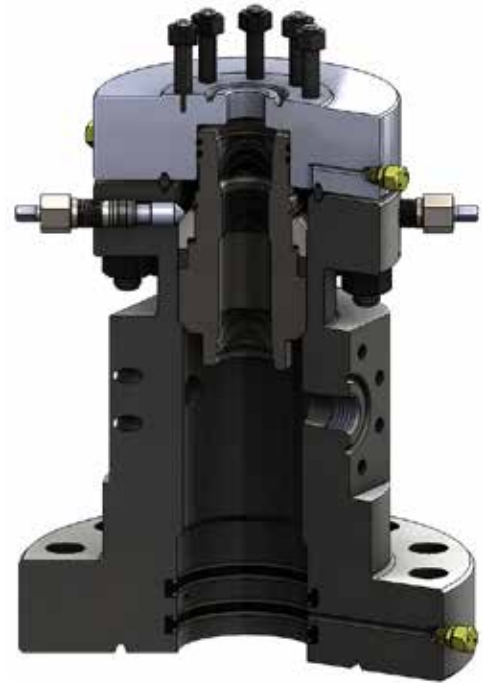
- The single “pack-off” style elastomeric seal, is energized by engaging the tubing head lock screws.
- Optional “O” ring style hangers available for static sealing, requiring no lock screw/compression to set the seals.
- Elastomeric seals isolate the top connection of the tubing head and adaptor from the well bore conditions.
- Conforms to API 6A temperature, material and PSL Specifications.
- Available with standard API Tubing Treads.
- Available with premium tubing threads as per customer requirements.
- Includes API Back Pressure Valve thread.

Options

- Addition of one or more control line ports as per customer specifications.

Tubing Head Adaptor Features

- Conforms to API 6A temperature, material and PSL Specifications.
- Pressure test ports to confirm neck and Adaptor pocket seal.



HANGER OD (inches)	TUBING SIZE (inches)	BPV SIZE (inches)
7 1/16"	2 3/8"	2.0"
	2 7/8"	2.5"
	3 1/2"	3.0"
	4 1/2"	4.0"
9"	2 3/8"	2.0"
	2 7/8"	2 1/2"
	3 1/2"	3.0"
	4 1/2"	4.0"
11"	2 3/8"	2.0"
	2 7/8"	2.5"
	3 1/2"	3.0"
	4 1/2"	4.0"
	5 1/2"	5.0"
13 5/8"	2 3/8"	2.0"
	2 7/8"	2.5"
	3 1/2"	3.0"
	4 1/2"	4.0"
	5 1/2"	5.0"