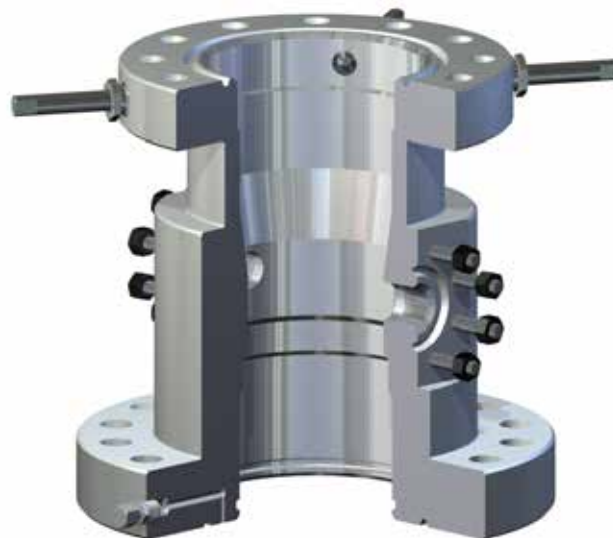


R1/RCS TUBING HEAD

The R1 Tubing Head incorporates a tapered bore profile designed to handle light to medium tubing string weights and will accept the GNWF "R1" and "R1-B" tapered body tubing hangers. It is available in top and bottom flange sizes from 7 1/16" to 11" and rated for pressures 2000 PSI & 3000 PSI.

Features

- Comes with tubing hanger lock screws. Size and quantity as per flange size and pressure rating.
- Will accept GNWF "R1" and R1-B tapered body tubing hangers.
- Standard Great North Equipment RCS three piece secondary seal.
- Conforms to API 6A temperature, material and PSL Specifications.



Options

- Optional O-ring Secondary available upon request.

Side Outlets

- Threaded line pipe.
- Studded side outlets c/w valve removal plug threads.
- Extended flanged outlets c/w valve removal plug threads.

UPPER FLANGE Nominal Size (inches)	FLANGE Rated Working Pressure (PSI)	CASING SIZE Bottom (inches)	MINIMUM BORE (B) (inches)	LOWER FLANGE Nominal Size (inches)	FLANGE Rated Working Pressure (PSI)
7 1/16"	2000 - 3000	4 1/2"	4.0"	7 1/16"	2000 - 3000
7 1/16"	2000 - 3000	4 1/2"	4.0"	9"	2000 - 3000
		5 1/2"	5.0"		
7 1/16"	2000 - 3000	4 1/2"	4.0"	11"	2000 - 3000
		5 1/2"	5.0"		
		7"	6.44"		
9"	2000 - 3000	4 1/2"	4.0"	11"	2000 - 3000
		6"	5.45"		
		6 5/8"	6.05"		
		7"	6.44"		