

R-2-P TUBING HEAD

The R-2-P Tubing Head incorporates a straight bore profile designed to handle heavy tubing string weights and will accept several different styles of Great North Wellhead & Frac "R2" type straight bore tubing hangers. It is equipped with an externally-energized "P" Seal secondary. It is available in several top and bottom flange sizes from 7 1/16" to 16 3/4" and rated for pressures from 2000 PSI to 15 000 PSI.

Features

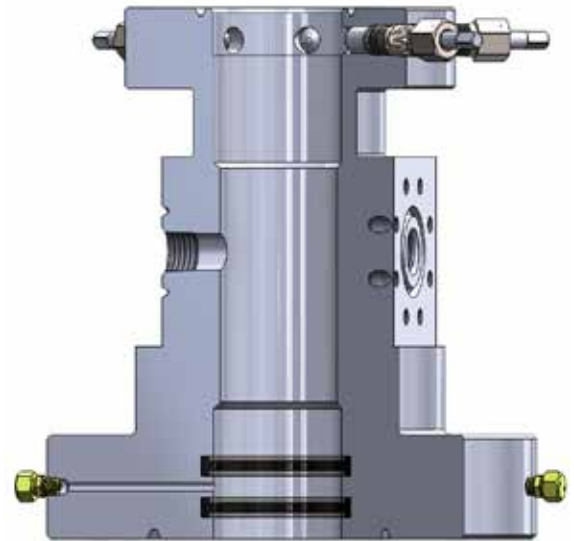
- Comes with tubing hanger lock screws. Size and quantity as per flange size and pressure rating.
- Will accept several different styles of Great North Equipment straight bore tubing hangers.
- Conforms to API 6A temperature, material and PSL Specifications.

Options

- "RCS" three piece secondary seal.
- Integral double o-ring seal style secondary seal.

Side Outlets

- Threaded line pipe.
- Studded side outlets c/w valve removal plug threads.
- Extended flanged outlets c/w valve removal plug threads.



R-2-P TUBING HEAD

UPPER FLANGE Nominal Size (inches)	FLANGE Rated Working Pressure (PSI)	CASING SIZE Bottom (inches)	MINIMUM BORE (B) (inches)	LOWER FLANGE Nominal Size (inches)	FLANGE Rated Working Pressure (PSI)
7 1/16"	2000 - 15 000	4 1/2"	4.0"	7 1/16"	2000 - 10 000
		5 1/2"	5.0"		
		6"	5.45"		
		6 5/8"	6.05"		
		7"	6.44"		
9"	2000 - 10 000	4 1/2"	4.0"	9"	2000 - 10 000
		5 1/2"	5.0"		
		6"	5.45"		
		6 5/8"	6.05"		
		7"	6.44"		
		8 5/8"	8.0"		
11"	2000 - 10 000	7"	6.44"	11"	2000 - 10 000
		8 5/8"	8.0"		
		9 5/8"	9.0"		
		10 3/4"	10.1"		
13 5/8"	2000 - 10 000	7"	6.44"	13 5/8"	2000 - 10 000
		8 5/8"	8.0"		
		9 5/8"	9.0"		
		10 3/4"	10.1"		
		11 3/4"	11.05"		
16 3/4"	2000 - 10 000	11 3/4"	11.05"	16 3/4"	2000 - 10 000
		13 3/8"	12.6"		
		16"	15.25"		
20 3/4"	3000	16"	15.25"	20 3/4"	3000
		18 5/8"	17.6"		
		20"	19"		
21 1/4"	2000, 5000, 10 000	16"	15.25"	21 1/4"	2000, 5000, 10 000
		18 5/8"	17.6"		
		20"	19"		

